

# Slide - Out Control Panel

**Intellitec's Slide-Out Controller** is designed to control the operation of a slide-out room electrical mechanism. The controller automatically stops the slide-out when it reaches its inner, or outer limit by sensing the current drawn by the motor. This eliminates the need for the owner to hold the switch in the "ON" position for the entire extend/retract cycle, and the installation of the limit switches and associated wiring during installation is also eliminated.



Part Number: 00-00705-000

The Intellitec Room Control is an all inclusive control with separate IN, OUT and STOP buttons. To operate the room, the owner would simply press the "OUT" button and the slide will move out. When the slide-out reaches its outermost limit, the unit will sense the rise in current and switch off the power to the slide-out motor.

To move the room back in again, the owner will push the "IN" button and the room will move in. When the slide out reaches its innermost position, the controller will sense the rise in current and will shut off power to the motor. If at any time during the operation of the slide-out, the owner wants to stop the room, he can push the "STOP" button and it will stop. Pressing either of the buttons will again start the room sliding in the direction designated by the switch pushed.

When the unit is not being used, the unit dynamically breaks the motor by connecting both motor leads to ground. It also is unable to be activated as the circuitry receives no power unless the switch is activated, dismissing any possibility of an errant motor start.



**Intellitec**

131 Eisenhower Lane North

Lombard, IL 60148

630.268.0010 / 1.800.251.2408

FAX 630.916.7890

P/N 53-00705-000 Rev. B 030805

# Slide - Out Control Panel

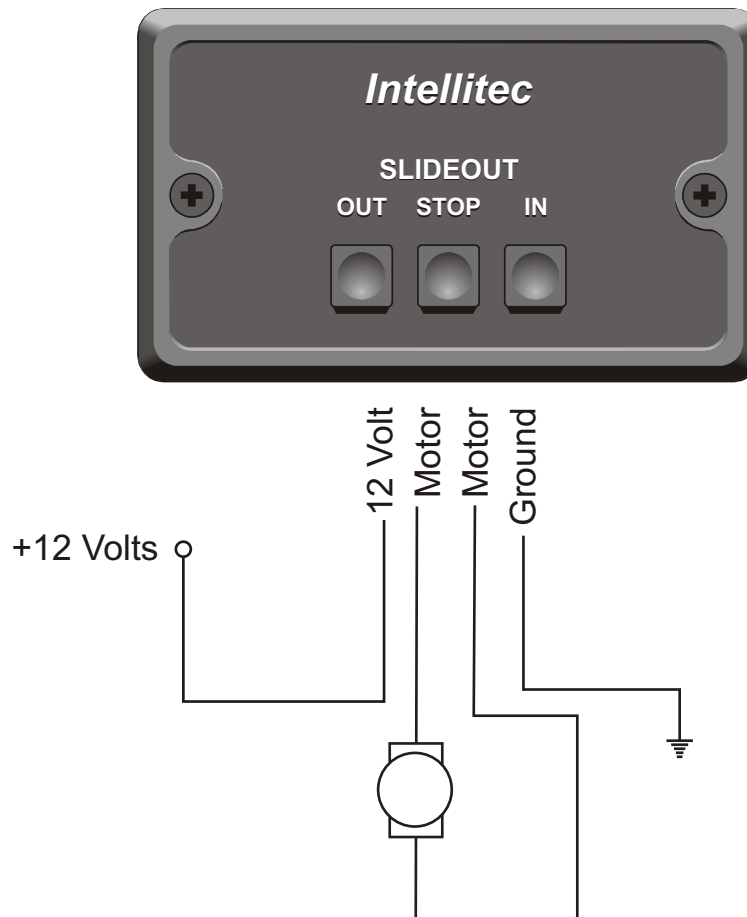
---

## Specifications:

Operating Voltage:	10 to 16 VDC
Current carry capabilities:	
Continuous current:	25 Amps
Stall Current Threshold:	13 to 34 Amps
Standby current draw:	<1 milliamps
Operating Temperature:	-40°C to +85°C (-40°F to +185°F)
Operating Environment:	Protected from direct weather

---

## Typical Wiring Diagram:



**Intellitec**

131 Eisenhower Lane North  
Lombard, IL 60148  
630.268.0010 / 1.800.251.2408  
FAX 630.916.7890

P/N 53-00705-000 Rev. B 030805