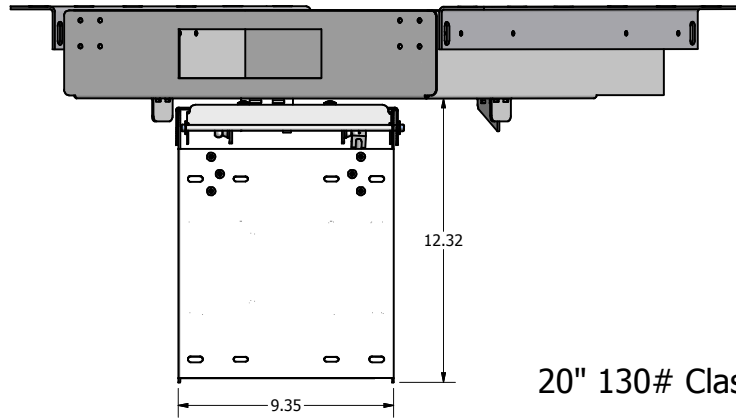
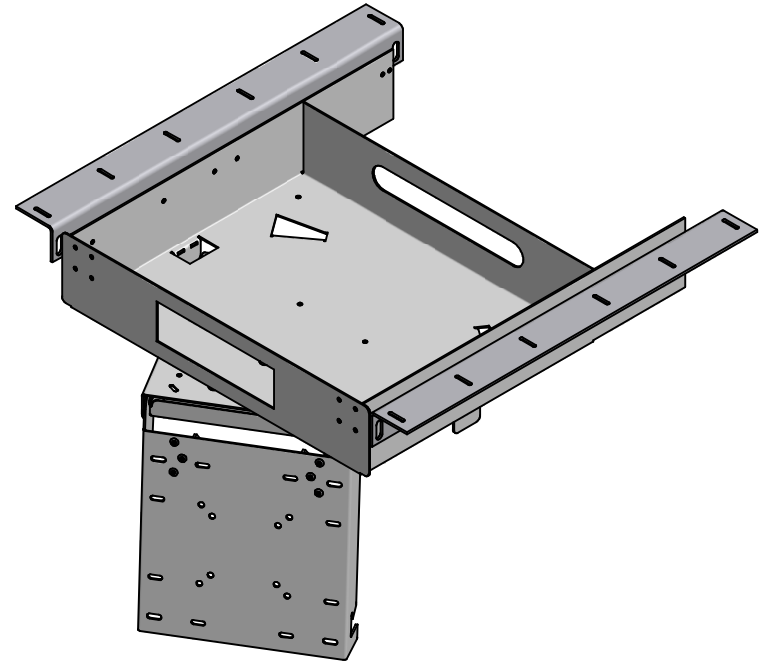
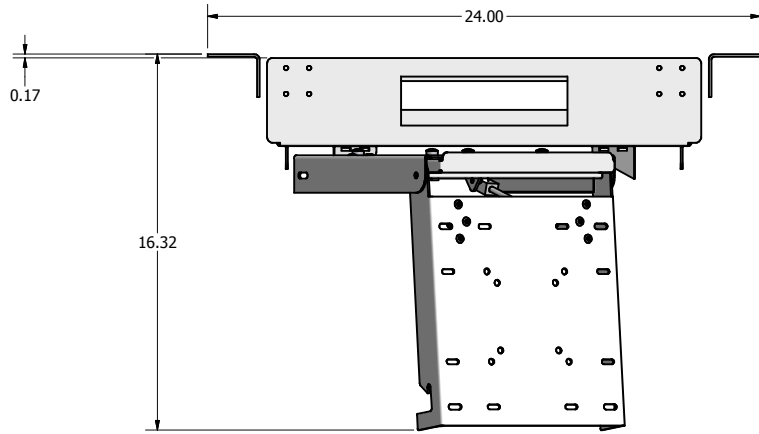
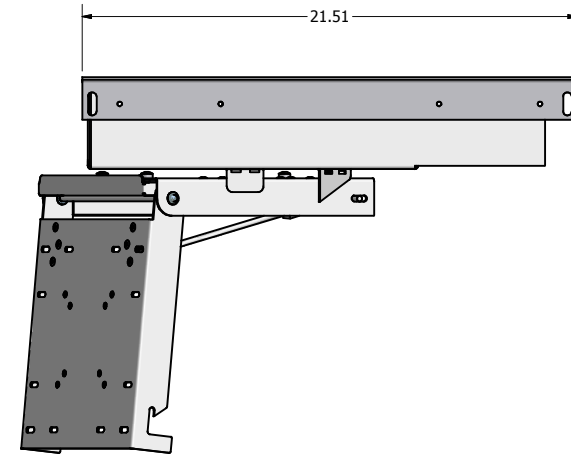


Unit fits flush to top of mounting area (no lip clearance)



20" 130# Class Slide



Tolerance	Bends: +/- 1/16"	FLEMING SALES
Part #	TVD-200-DIN	
Author	mike	
Date	1/4/06	
Material Gage	Varies	
Material Type	Varies	
Finish	Varies	
Title Version	0.3 1-16-06	
DESCRIPTION		200mm Drop Down Tray