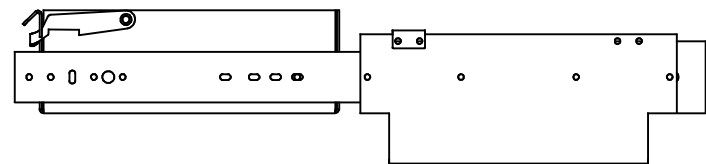
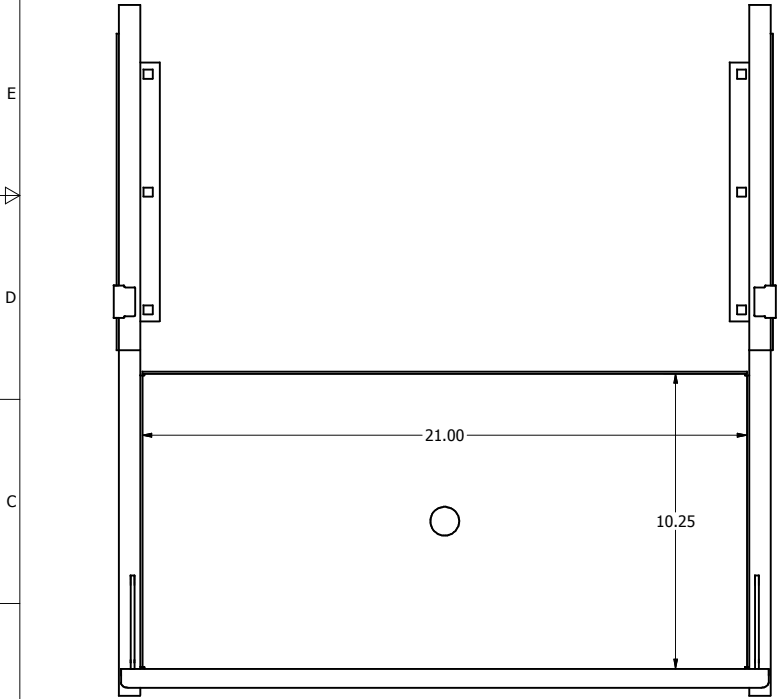
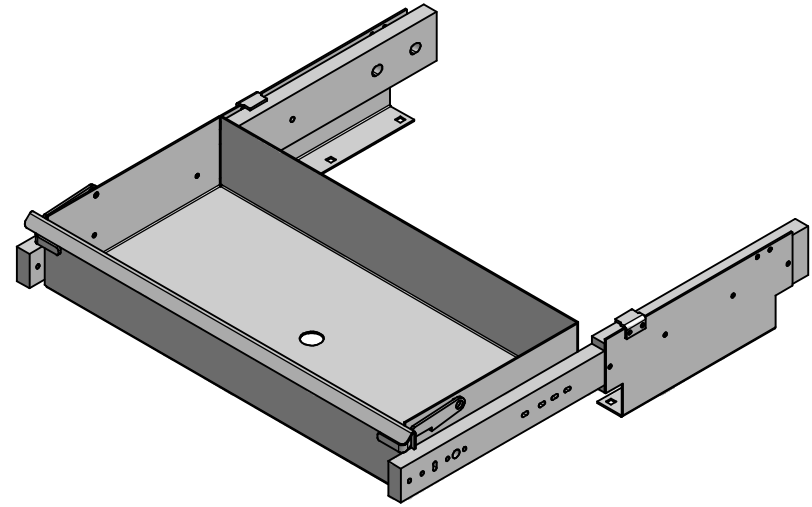
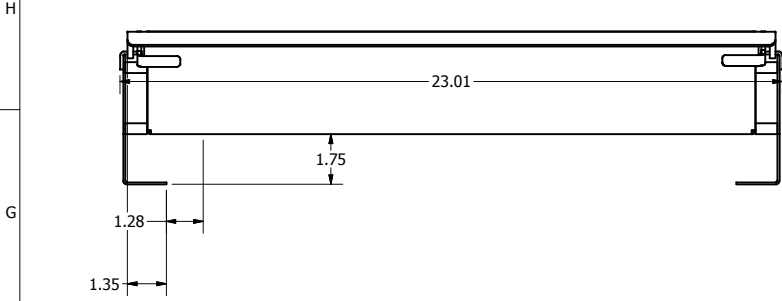


8 7 6 5 4 3 2 1



Tolerance	Bends: +/- 1/16"	DESCRIPTION Tray
Part #	FL-N2110250KL	
Author	mike	FLEMING SALES
Date	4/2/07	
Material Gage	varies	
Material Type	HR	
Finish	See Suffix	
Title Version	0.3 1-16-06	

8 7 6 5 4 3 2 1

H
G
F
E
D
C
B
A

H
G
F
E
D
C
B
A